

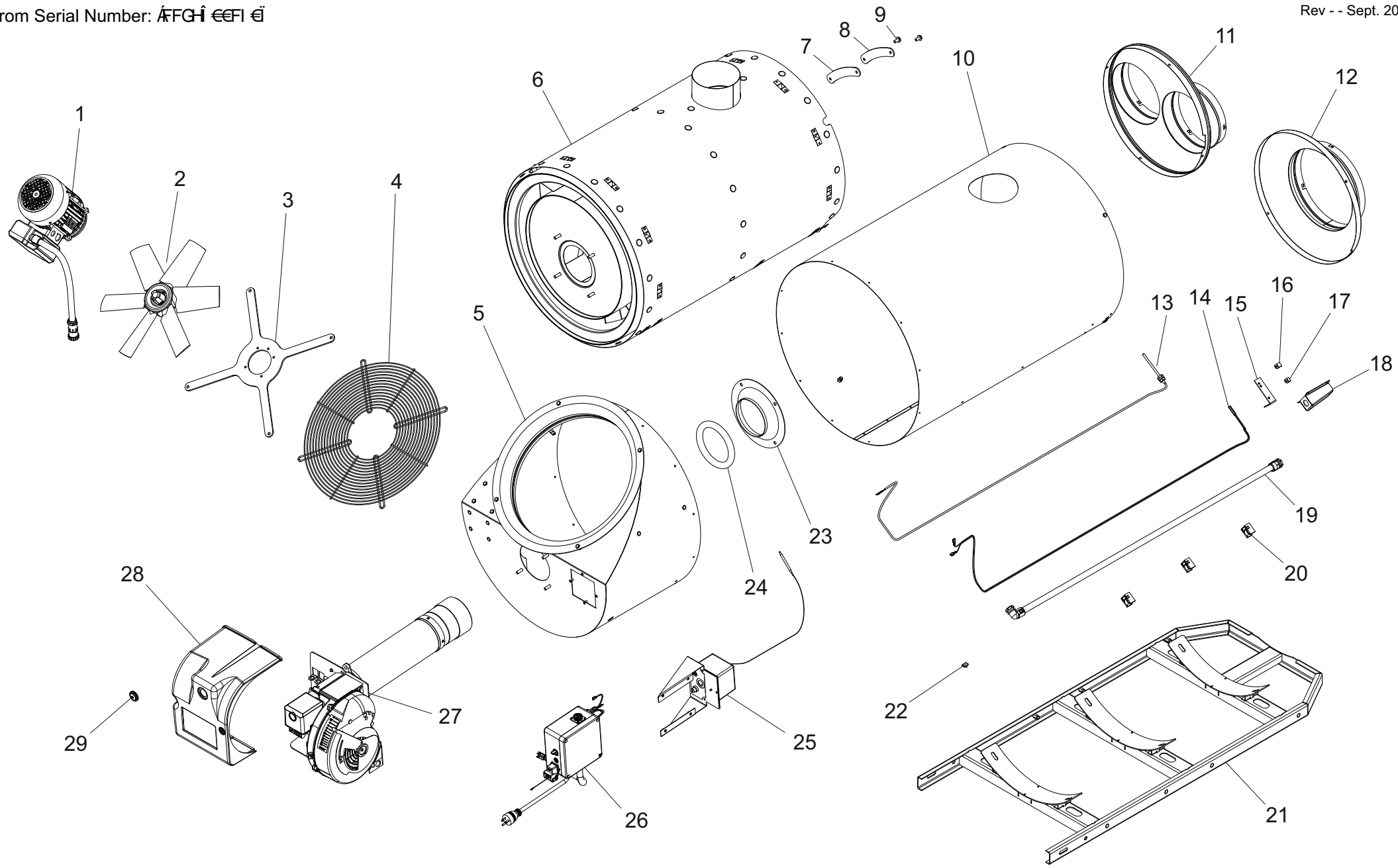
# MODEL BV500 - 230 V / 50 Hz

UNIT 1

ILLUSTRATED PARTS BREAKDOWN

From Serial Number: ÁFGH €FI €

Rev -- Sept. 2016



# MODEL BV500 230 V - 50 Hz

UNIT 2

PARTS LIST

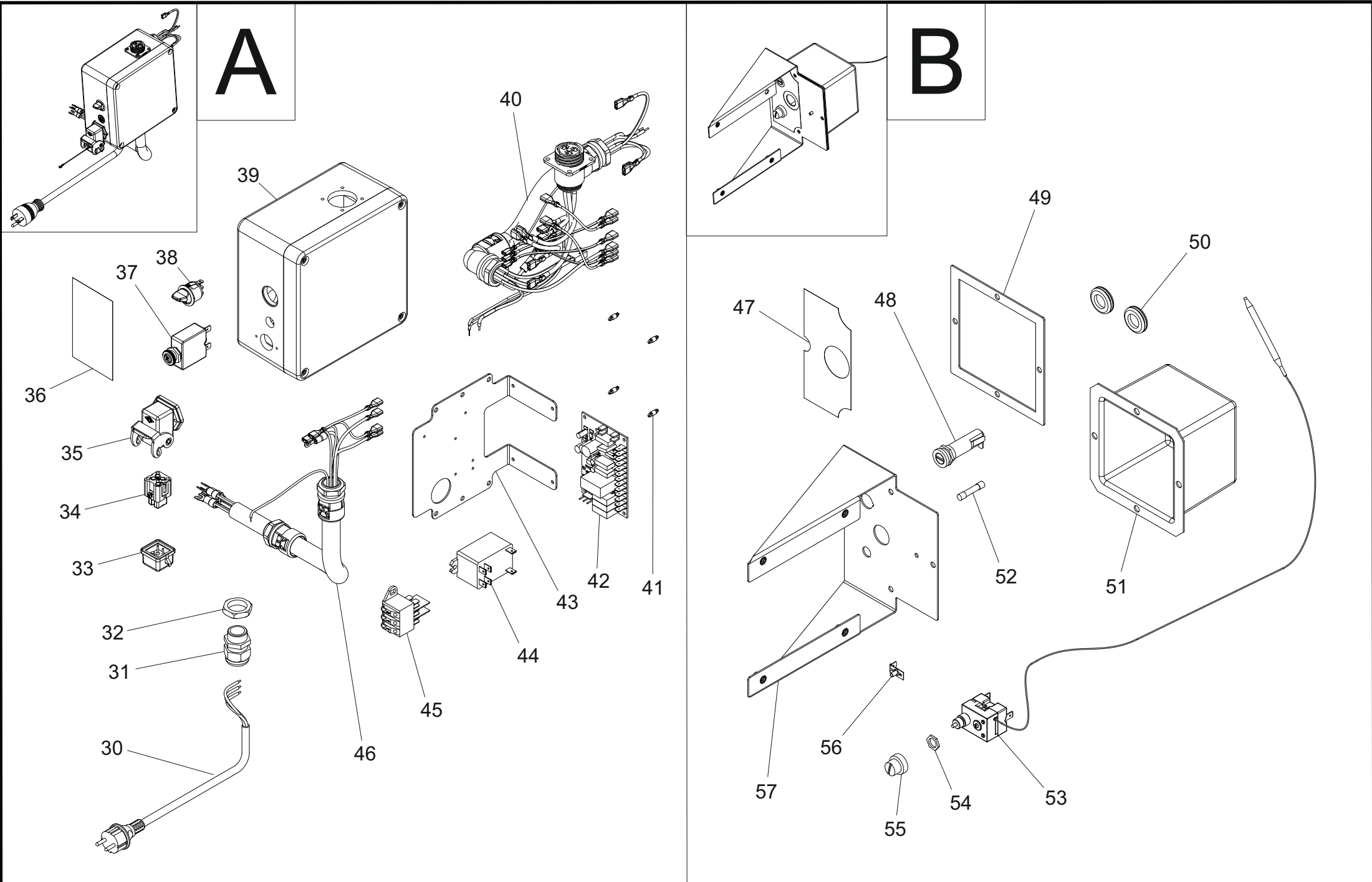
---

| Pos. | Code N°  | Description            | Rev. - - Sept. 2016 |
|------|----------|------------------------|---------------------|
| 1    | 4034.205 | MOTOR                  |                     |
| 2    | 4034.207 | FAN                    |                     |
| 3    | 4033.916 | MOTOR FLANGE           |                     |
| 4    | 4033.627 | MOTOR GRILLE           |                     |
| 5    | 4033.972 | MOTOR SUPPORT          |                     |
| 6    | 4033.601 | COMBUSTION CHAMBER     |                     |
| 7    | 4033.618 | INSPECTION GASKET      |                     |
| 8    | 4033.617 | INSPECTION FLANGE      |                     |
| 9    | 4117.183 | SCREW                  |                     |
| 10   | 4033.971 | VARNISHED SHELL        |                     |
| 11   | 4033.440 | OUTLET CONE 2 WAY      |                     |
| 12   | 4033.976 | OUTLET CONE 1 WAY      |                     |
| 13   | 4033.794 | TEMPERATURE NTC SENSOR |                     |
| 14   | 4033.498 | THERMOSTAT             |                     |
| 15   | 4033.814 | SENSORS BRACKET        |                     |
| 16   | 4033.879 | CLIP                   |                     |
| 17   | 4033.700 | CLIP                   |                     |
| 18   | 4033.710 | SENSORS COVER          |                     |
| 19   | 4033.849 | METAL CONDUIT ASS.Y    |                     |
| 20   | 4033.684 | METAL CONDUIT SUPPORT  |                     |
| 21   | 4034.209 | GLIDE                  |                     |
| 22   | 4033.801 | WIRE CLAMP             |                     |
| 23   | 4033.636 | COMPENSATION FLANGE    |                     |
| 24   | 4033.642 | FIBER ROPE             |                     |
| 25   | 4033.472 | THERMOSTAT PANEL       |                     |
| 26   | 4034.208 | CONTROL PANEL          |                     |
| 27   | 4034.203 | BURNER                 |                     |
| 28   | 4033.793 | BURNER COVER           |                     |
| 29   | 4033.803 | BURNER RESET COVER     |                     |

# MODEL BV500 - 230 V / 50 Hz

UNIT 3

ILLUSTRATED PARTS BREAKDOWN



# MODEL BV500 230 V - 50 Hz

UNIT 4

PARTS LIST

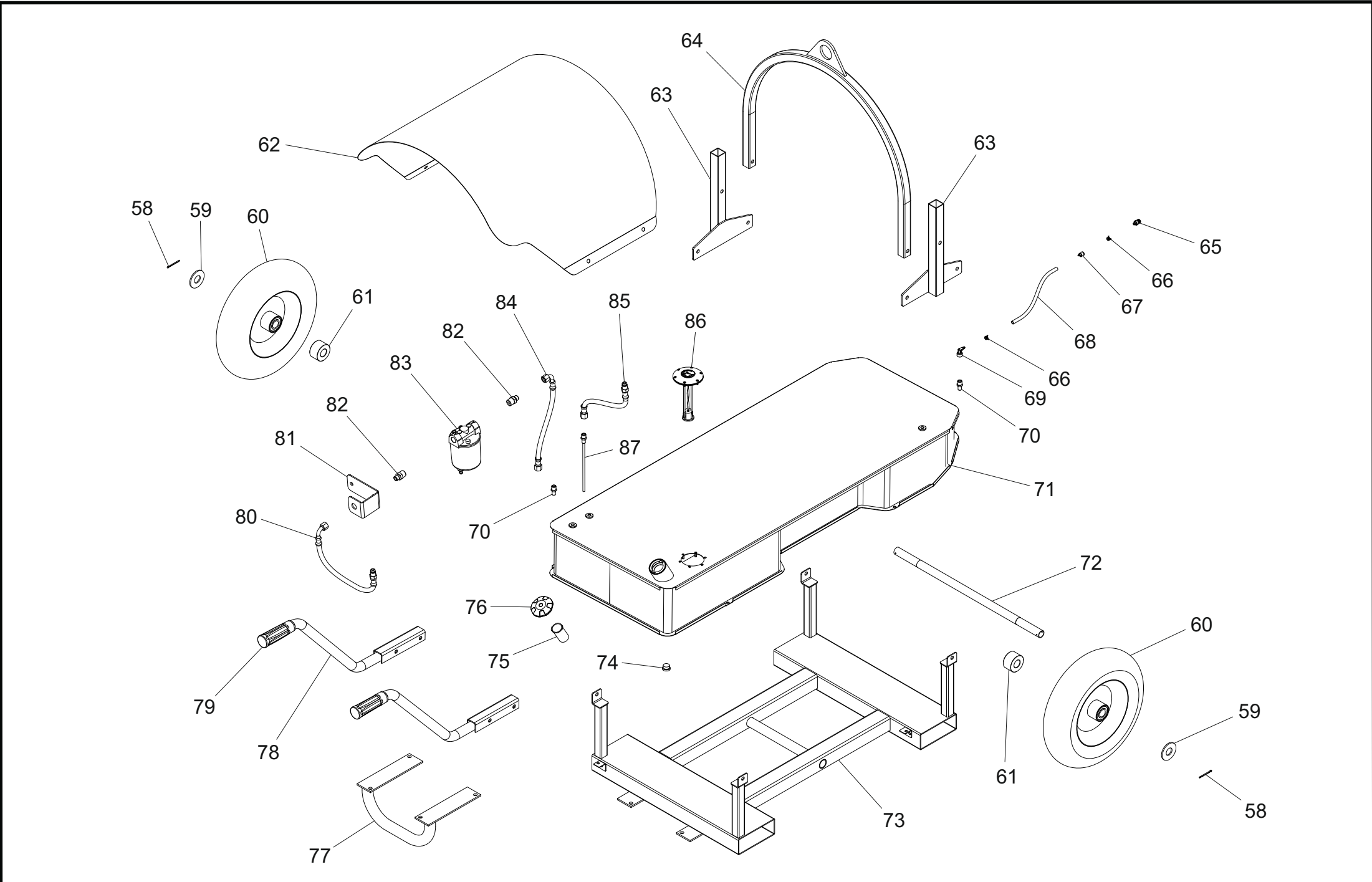
---

| Pos. | Code N°  | Description             | Rev. - - Sept. 2016 |
|------|----------|-------------------------|---------------------|
| 30   | 4034.224 | POWER CORD              |                     |
| 31   | 4150.528 | STRAIN RELIEF BUSHING   |                     |
| 32   | 4100.656 | NUT                     |                     |
| 33   | 4033.520 | THERMOSTAT CAP          |                     |
| 34   | 4161.400 | THERMOSTAT PLUG         |                     |
| 35   | 4033.519 | THERMOSTAT SOCKET 90°   |                     |
| 36   | 4034.263 | CONTROL BOX LABEL       |                     |
| 37   | 4034.266 | THERMAL CIRCUIT BREAKER |                     |
| 38   | 4034.223 | SWITCH                  |                     |
| 39   | 4033.419 | CONTROL BOX             |                     |
| 40   | 4033.418 | WIRES KIT               |                     |
| 41   | 4033.786 | SPACER                  |                     |
| 42   | 4033.421 | PC-BOARD                |                     |
| 43   | 4033.477 | BRACKET                 |                     |
| 44   | 4034.225 | RELAY                   |                     |
| 45   | 4033.771 | TERMINAL BOX            |                     |
| 46   | 4033.423 | BURNER WIRES KIT        |                     |
| 47   | 4034.262 | LABEL                   |                     |
| 48   | 4033.504 | FUSE HOLDER             |                     |
| 49   | 4033.784 | BOX RUBBER              |                     |
| 50   | 4162.500 | CABLE PROTECTION        |                     |
| 51   | 4033.785 | PLASTIC BOX             |                     |
| 52   | 4033.526 | FUSE                    |                     |
| 53   | 4033.789 | MANUAL RESET THERMOSTAT |                     |
| 54   | 4033.906 | NUT                     |                     |
| 55   | 4033.905 | CAP                     |                     |
| 56   | 4160.548 | GROUND RIVET            |                     |
| 57   | 4033.475 | BRACKET                 |                     |

# MODEL BV500 - 230 V / 50 Hz

UNIT 5

ILLUSTRATED PARTS BREAKDOWN



# MODEL BV500 - 230 V - 50 Hz

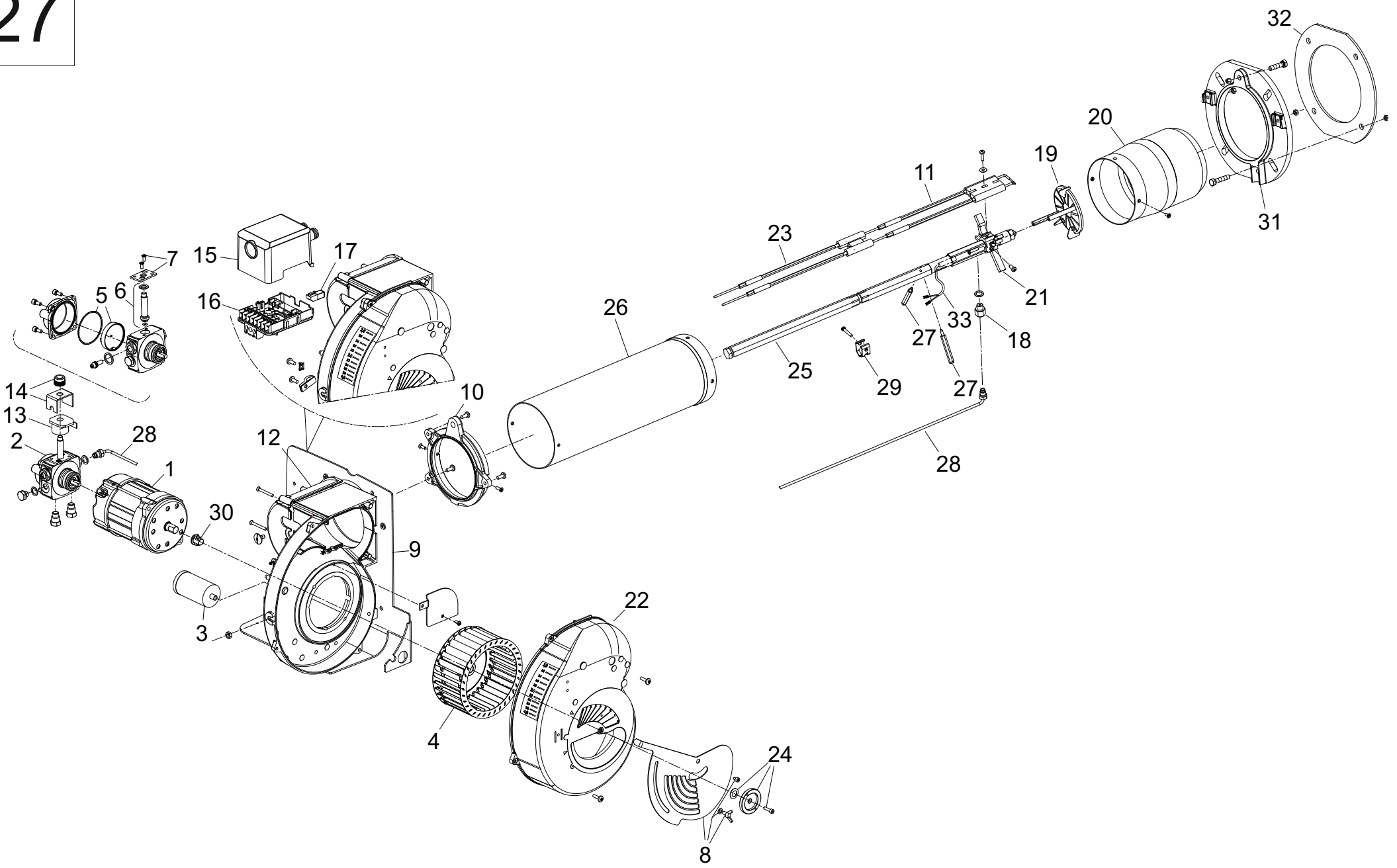
UNIT 6

PARTS LIST

---

| Pos. | Code N°  | Description             | Rev. - - Sept. 2016 |
|------|----------|-------------------------|---------------------|
| 58   | 4034.214 | COTTER PIN              |                     |
| 59   | 4034.213 | WASHER                  |                     |
| 60   | 4034.211 | PNEUMATIC WHEEL         |                     |
| 61   | 4033.470 | BUSHING                 |                     |
| 62   | 4034.249 | COVERING ROOF           |                     |
| 63   | 4033.459 | LIFTING FOOT            |                     |
| 64   | 4033.463 | LIFTING ARCH            |                     |
| 65   | 4260.246 | BREATHE VALVE           |                     |
| 66   | 4110.159 | BIFILAR CLIP            |                     |
| 67   | 4034.309 | CLIP                    |                     |
| 68   | 4110.395 | RUBBER PIPE             |                     |
| 69   | 4034.308 | 90° CONNECTION          |                     |
| 70   | 4031.068 | STRAIGHT CONNECTION     |                     |
| 71   | 4033.994 | TANK                    |                     |
| 72   | 4033.467 | AXLE                    |                     |
| 73   | 4033.443 | CHASSIS                 |                     |
| 74   | 4032.813 | DRAIN PLUG              |                     |
| 75   | 4033.999 | FUEL FILTER             |                     |
| 76   | 4033.992 | TANK CAP                |                     |
| 77   | 4033.455 | CHASSIS FOOT            |                     |
| 78   | 4033.451 | HANDLE                  |                     |
| 79   | 4034.210 | PLASTIC HANDLE          |                     |
| 80   | 4031.061 | FUEL PIPE FILTER-BURNER |                     |
| 81   | 4033.997 | FILTER BRACKET          |                     |
| 82   | 4031.064 | STRAIGHT CONNECTION     |                     |
| 83   | 4034.317 | FUEL FILTER             |                     |
| 84   | 4034.253 | FUEL PIPE TANK-FILTER   |                     |
| 85   | 4034.300 | FUEL PIPE BURNER-TANK   |                     |
| 86   | 4034.254 | FUEL GAUGE              |                     |
| 87   | 4034.252 | SUCTION PIPE            |                     |

**27**



# MODEL BV500 230 V - 50 Hz

UNIT 8

PARTS LIST

---

| Pos. | Code N°  | Description                | Rev. - - Sept. 2016 |
|------|----------|----------------------------|---------------------|
| 1    | 4614.328 | MOTOR                      |                     |
| 2    | 4614.270 | PUMP                       |                     |
| 3    | 4614.329 | CAPACITOR                  |                     |
| 4    | 4614.043 | FAN                        |                     |
| 5    | 4614.044 | FILTER                     |                     |
| 6    | 4614.047 | NEEDLE VALVE               |                     |
| 7    | 4614.272 | PLATE                      |                     |
| 8    | 4614.292 | AIR DAMPER                 |                     |
| 9    | 4614.302 | FRONT SHIELD               |                     |
| 10   | 4614.295 | COLLAR                     |                     |
| 11   | 4034.196 | ELECTRODE                  |                     |
| 12   | 4614.297 | COVER                      |                     |
| 13   | 4614.037 | COIL                       |                     |
| 14   | 4614.055 | SHELL AND KNOB             |                     |
| 15   | 4614.102 | CONTROL BOX                |                     |
| 16   | 4614.056 | TERMINAL BOARD             |                     |
| 17   | 4614.051 | CELL CONNECTOR             |                     |
| 18   | 4034.197 | CONNECTOR                  |                     |
| 19   | 4034.198 | END RING AND DIFFUSER DISK |                     |
| 20   | 4614.320 | BLAST TUBE                 |                     |
| 21   | 4034.199 | CROSS                      |                     |
| 22   | 4614.318 | AIR INTAKE                 |                     |
| 23   | 4034.400 | INSULATOR                  |                     |
| 24   | 4614.309 | SUPPORT FOR AIR DAMPER     |                     |
| 25   | 4614.308 | EXTENSION SLIDE            |                     |
| 26   | 4614.299 | END CONE                   |                     |
| 27   | 4614.307 | SPACER                     |                     |
| 28   | 4034.401 | TUBE                       |                     |
| 29   | 4614.041 | ELECTRODE BRACKET          |                     |
| 30   | 4614.021 | JOINT                      |                     |
| 31   | 4614.016 | FLANGE                     |                     |
| 32   | 4614.061 | FLANGE GASKET              |                     |
| 33   | 4614.330 | NOZZLE HOLDER ASS.Y        |                     |